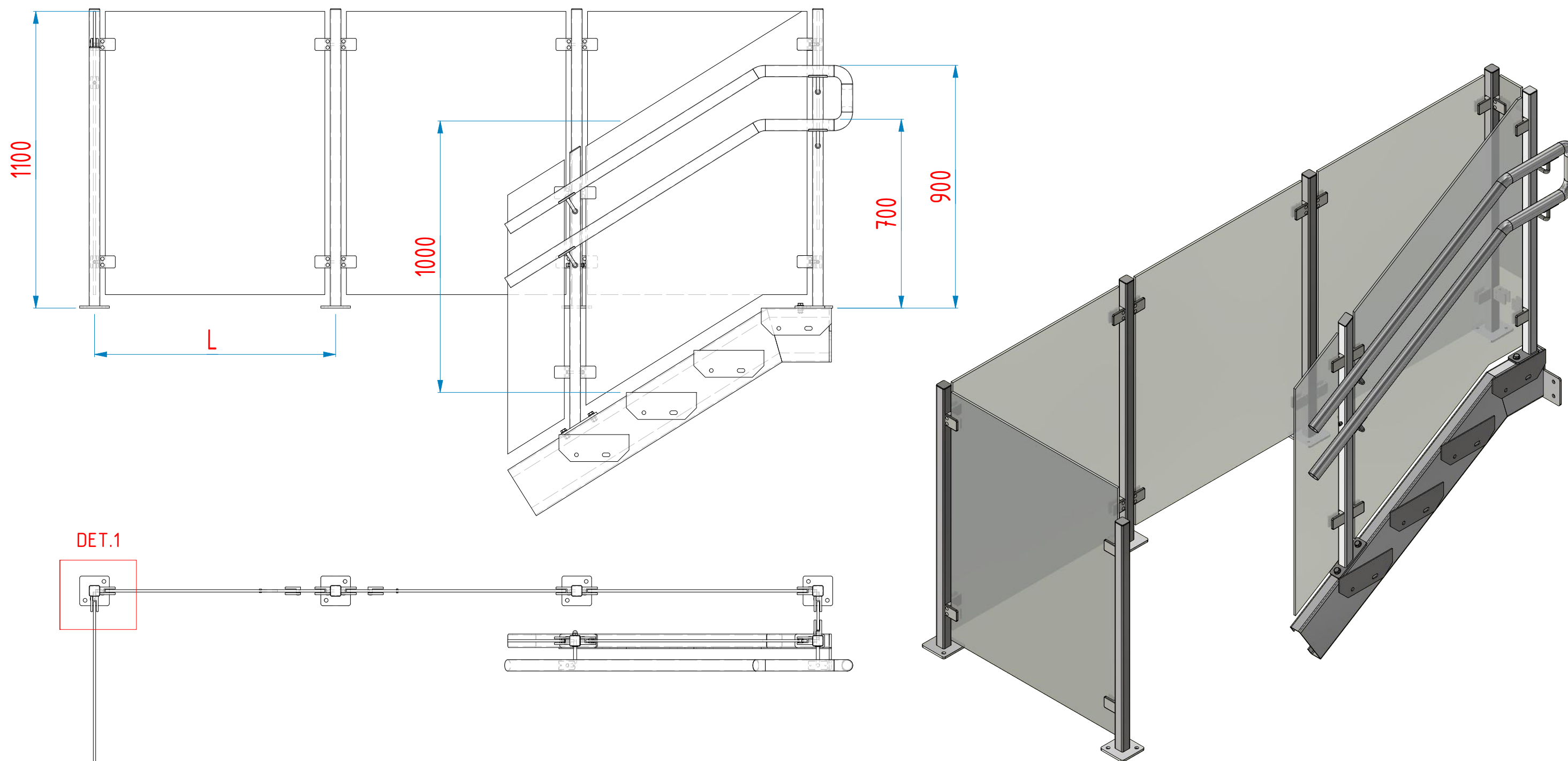


glass railing side handrail.idw



DET.1

DET.1

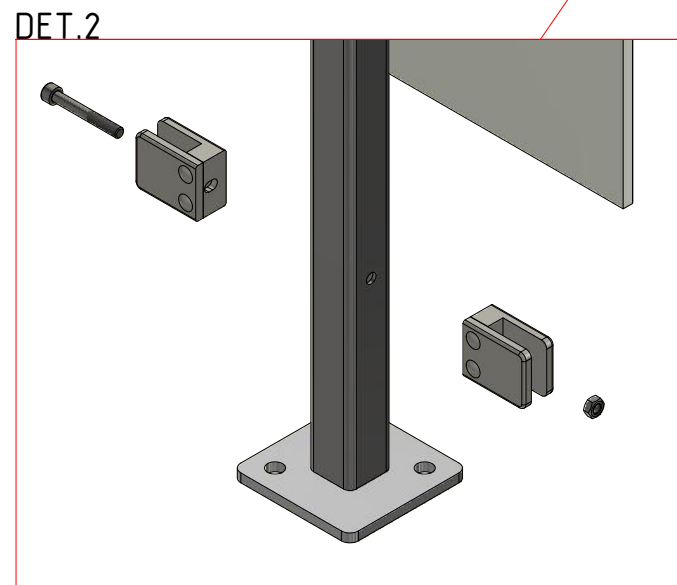
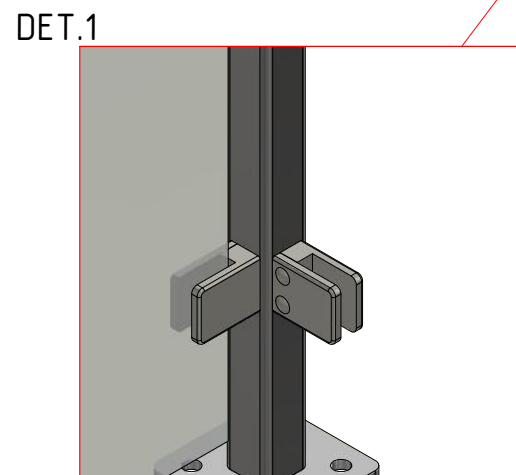
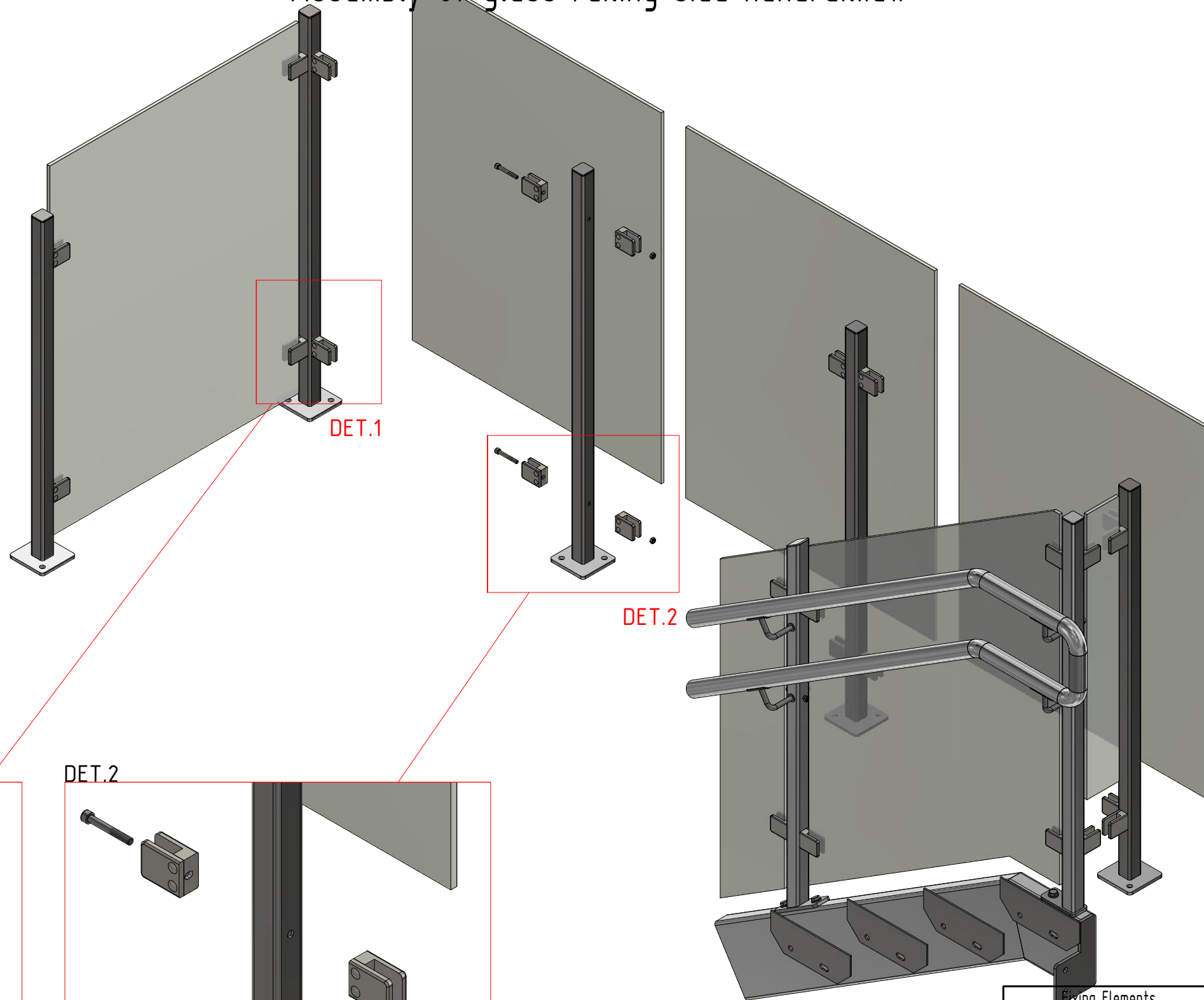
Comments
 1. All indeterminate welds: T-welds as fillet welds a = 3
 2. Connection of elements do as butt welds with full penetration
 3. With hot-dip galvanized components, welds should be closed.

General tolerances regarding the construction welded according to NS/SS-EN ISO 13920 class B					
Above 30 to 120	Above 120 to 400	Above 400 to 1000	Above 1000 to 2000	Above 2000 to 4000	Above 4000
±1	±2	±3	±4	±6	±8

Material
 Steel S235JR
 NS/SS-EN 10025-2

Antal Quantity		Vi ansvarar ej för trappans stabilitet vid infästningspunkter mot omkringliggande konstruktion.	
Titel Title		Ytbehandling surface treatment	
Massa Mass		Gen. tolerans General tolerances EN ISO13920:1996 cl.B	
Konstr. Gulv		Skala Scale	
		Muster Skuggas Väg 7 64171 ARVIKA SWEDEN Tel. 0571-181077 www.abcsolutions.se	
		Ritnr DwgNo glass railing side handrail.idw	
		Rev	

Assembly of glass railing side handrail.idw



Fixing Elements	Standard	Reference	Quality
M12 x 30 Hexagonal head bolt	DIN 931 / ISO 4017	Stringer	A2
M12 Hexagon nuts	DIN 934 / ISO 4033	Stringer	A2
Washer for M12 (x2)	DIN 125 / ISO 7089	Stringer	A2
M8 x 60 Hexagonal head bolt	DIN 912 / ISO 4762	Double sided post	A2
M8 x 20 Hexagonal head bolt	DIN 912 / ISO 4762	Post with nut-rivets	A2
M8 Blind rivet nut	(Würth)	Post with nut-rivets	A2

Antal Quantity		Vi ansvarar ej för trappans stabilitet vid infästningspunkter mot omkringliggande konstruktion.	
Titel Title	Ytbehandling surface treatment	Gen. tolerans General tolerances	Skala Scale
Massa Mass	Ref.dwg	EN ISO13920:1996 cl.B	
Konstr. Gödk.		Ritn.nr DwgNo	glass railing side handrail.idw

Comments
 1. All indeterminate welds: T-welds as fillet welds a = 3
 2. Connection of elements do as butt welds with full penetration
 3. With hot-dip galvanized components, welds should be closed.

PN-EN 1090 EXC2, CE	General tolerances regarding the construction welded according to NS/SS-EN ISO 13920 class B					
	Above 30 to 120	Above 120 to 400	Above 400 to 1000	Above 1000 to 2000	Above 2000 to 4000	Above 4000
	±1	±2	±3	±4	±6	±8

Material
 Steel S235JR
 NS/SS-EN 10025-2

Muster Skuggas Väg 7
 64171 ARVIKA SWEDEN
 Tel: 0571-181077
 www.abcsolutions.se